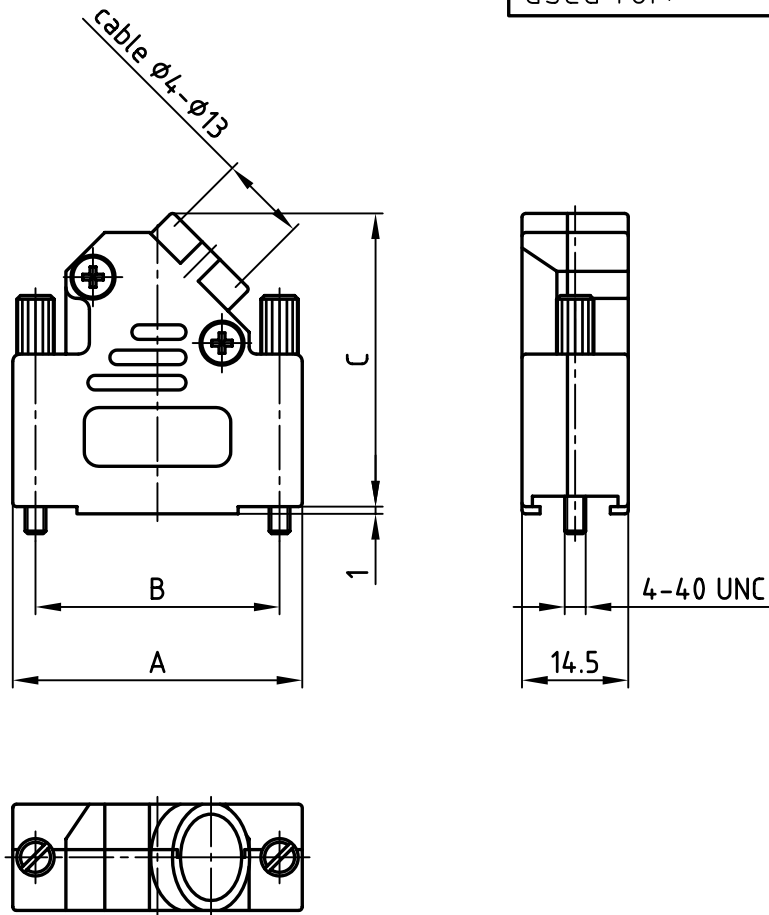


used for: D-SUB



No. of pos.	A	B	C	Part NO.
9	31.0	25.0	36.2	165X02689XE
15	39.5	33.3	40.2	165X02699XE
25	53.2	47.0	40.2	165X02709XE
37	69.7	63.5	40.2	165X02719XE

Directive 2002/95/EC  
"RoHS"  
Compliant

APPROVAL # FREIGABE # DEBLOCAGE # AUTORIZACION # APPROVAL

CUSTOMER APPROVAL DATE:

NAME: TITLE:

COMPANY NAME:

APPROVAL # FREIGABE # DEBLOCAGE # AUTORIZACION # APPROVAL

**Technical Data:**

Material and finish: zinc die-cast, nickel plated  
 Cable strain relief: steel fibre reinforced polycarbonate UL 94 V-0  
 Temperature range: -40°C to +120°C  
 Attenuation factor: > 40dB between 30 MHz and 1 GHz

THIS DRAWING MAY NOT BE COPIED OR REPRODUCED IN ANY WAY, AND MAY NOT BE PASSED ON TO A THIRD PARTY WITHOUT WRITTEN PERMISSION.  
 OWNERSHIP AND COPYRIGHT OF CONEC GmbH  
 DO NOT ALTER CAD DRAWING BY HAND

tolerance		dim. in mm	
2006	date	name	
drawn	09.02.	Lehmenkühler	
appd.	09.02.	Mickenbecker	
norm	DIN 41652		
d-old			
a	Origin		
rev.	description	date	name



scale:	1:1
material:	SEE NOTES
title:	<b>METAL HOOD</b> 9-37pos. EMI/RFI SHIELDING with side cable exit and jack screws
dwg no:	AutoCAD 2004
	DIN-A
	4
	sh: 1/1
part no:	16K1A1745
	SEE TABLE